



Player Tennis Table Instruction



21-105

**Player Table
TennisTable**



Player Tennis Table Instruction

- ! Before starting to assemble the table tennis table please read the assembly instructions carefully. Please keep the instructions for your information, for maintenance and for ordering spare parts.
- * At least two adults have to participate in the assembly of the table tennis table which should be carried out on a clean soft floor.
- * Before commencing the assembly, check all the parts according to the Parts List on page 6.
- * Please follow the ABC references for the order of the assembly.
- * If there is a Part Mark, please read the information relating to it on the Parts List on page 6.
- * Please use the tools as indicated for each assembly step.
- * Please refer to the assembly video found at www.hartSPORT.com.au or www.hartSPORT.co.nz. Search for 21-105. Or you can scan the QR Code below to view the video on your hand held device.

13 ——— Part mark



——— Tools required



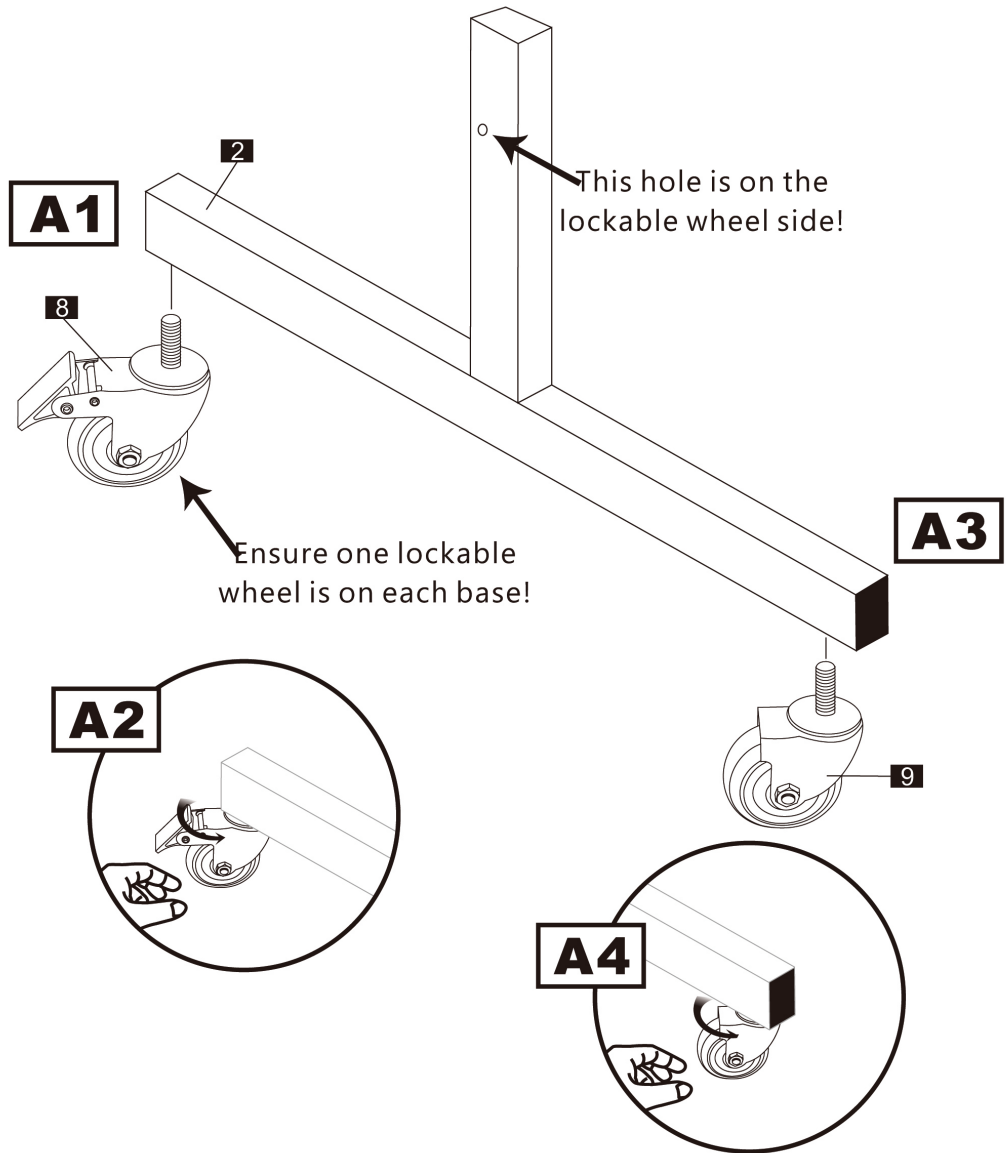
Scan for
Video Online



——— Two people required for this step



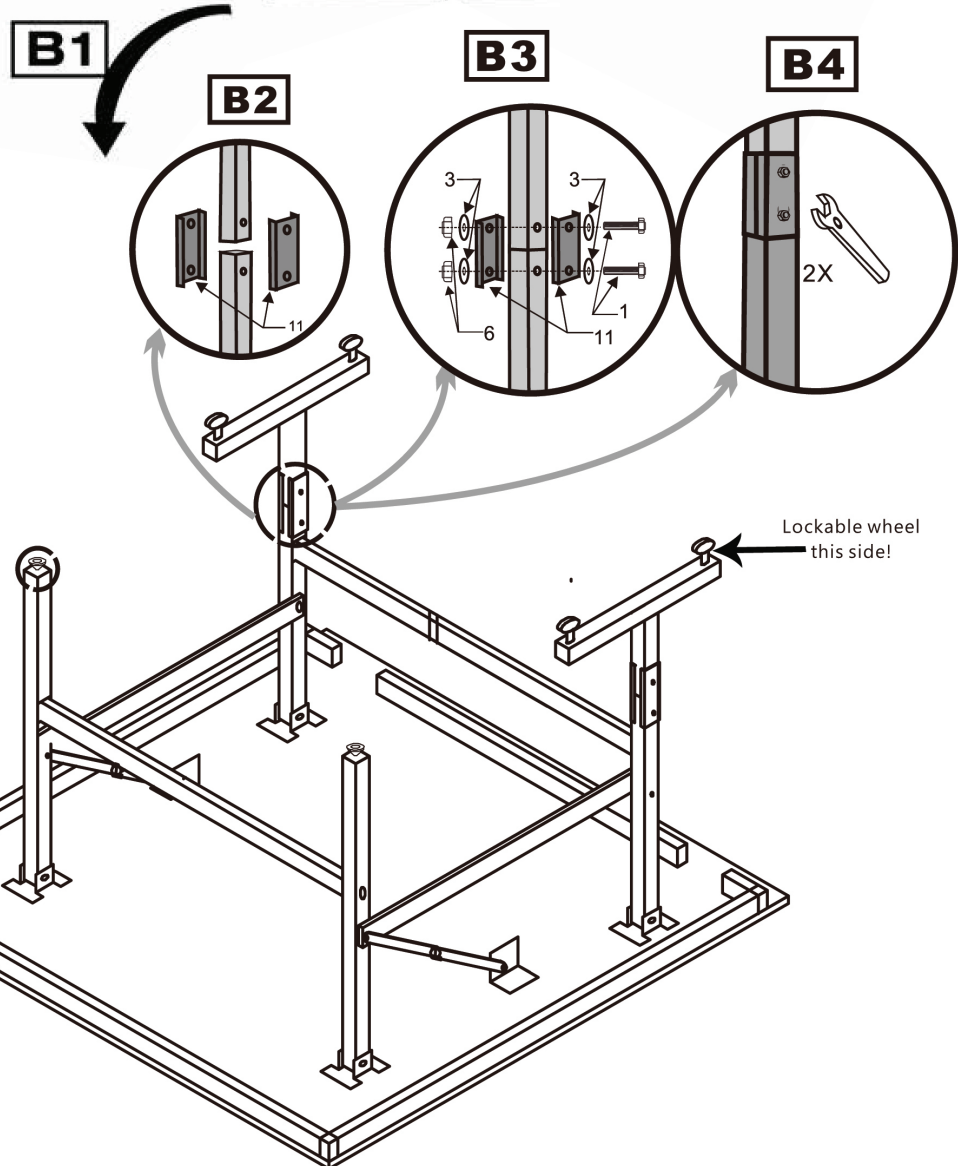
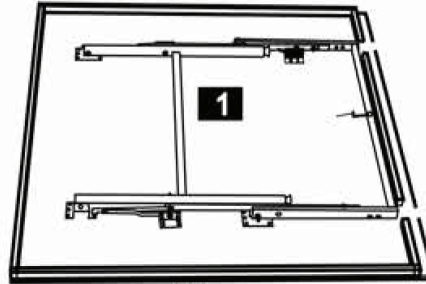
Player Tennis Table Instruction





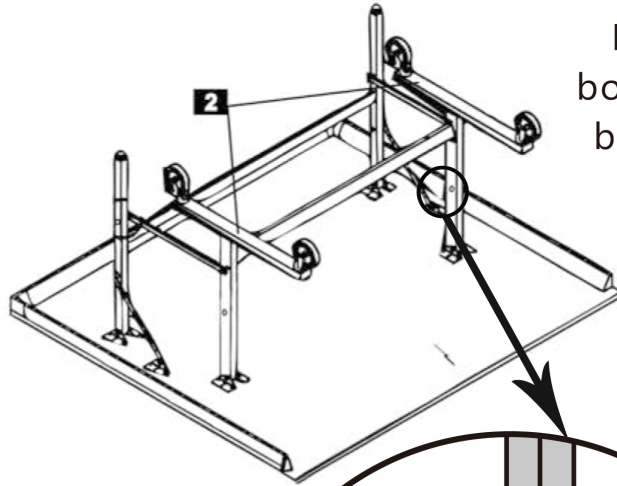
Player Tennis Table Instruction

Repeat this step for both table pieces!



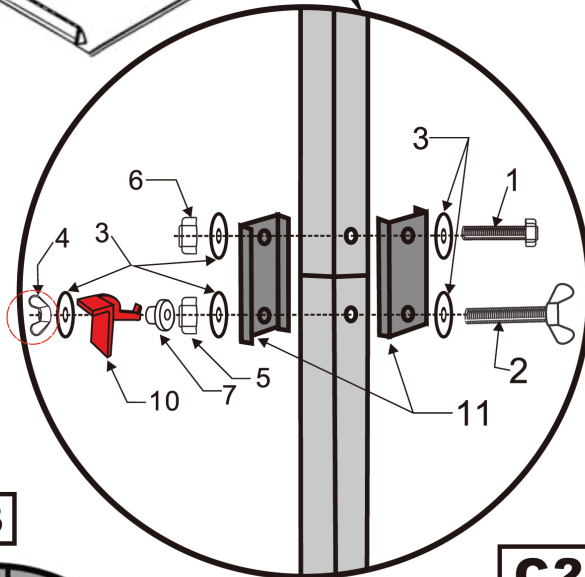


Player Tennis Table Instruction



Repeat this step for both table pieces. Must be diagonal from one another!

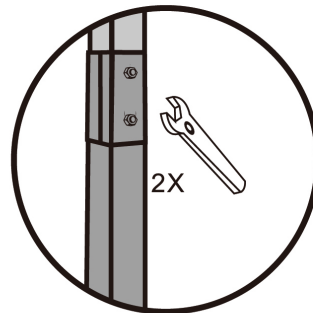
C1



C3

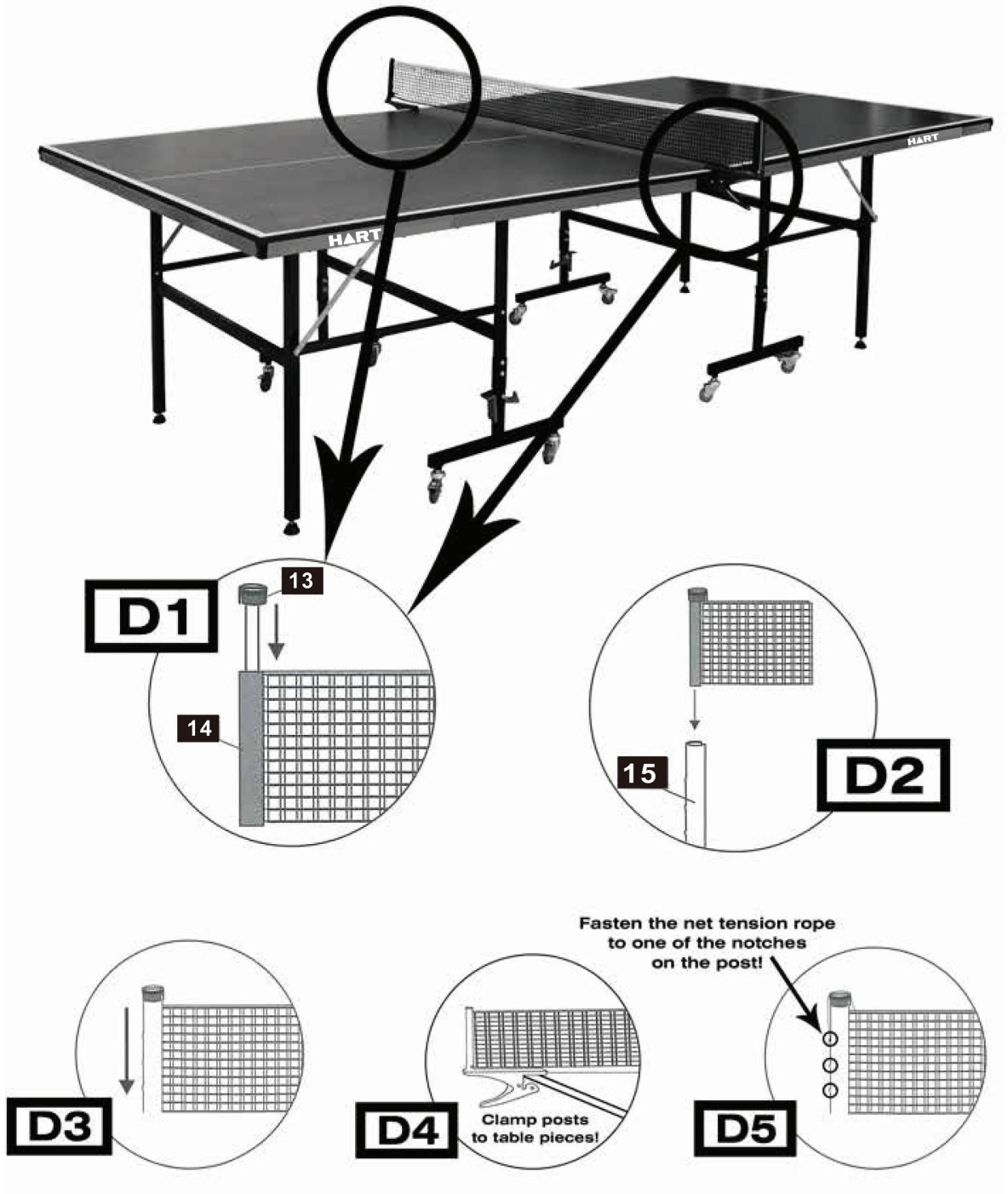


C2



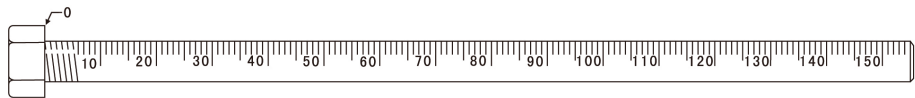
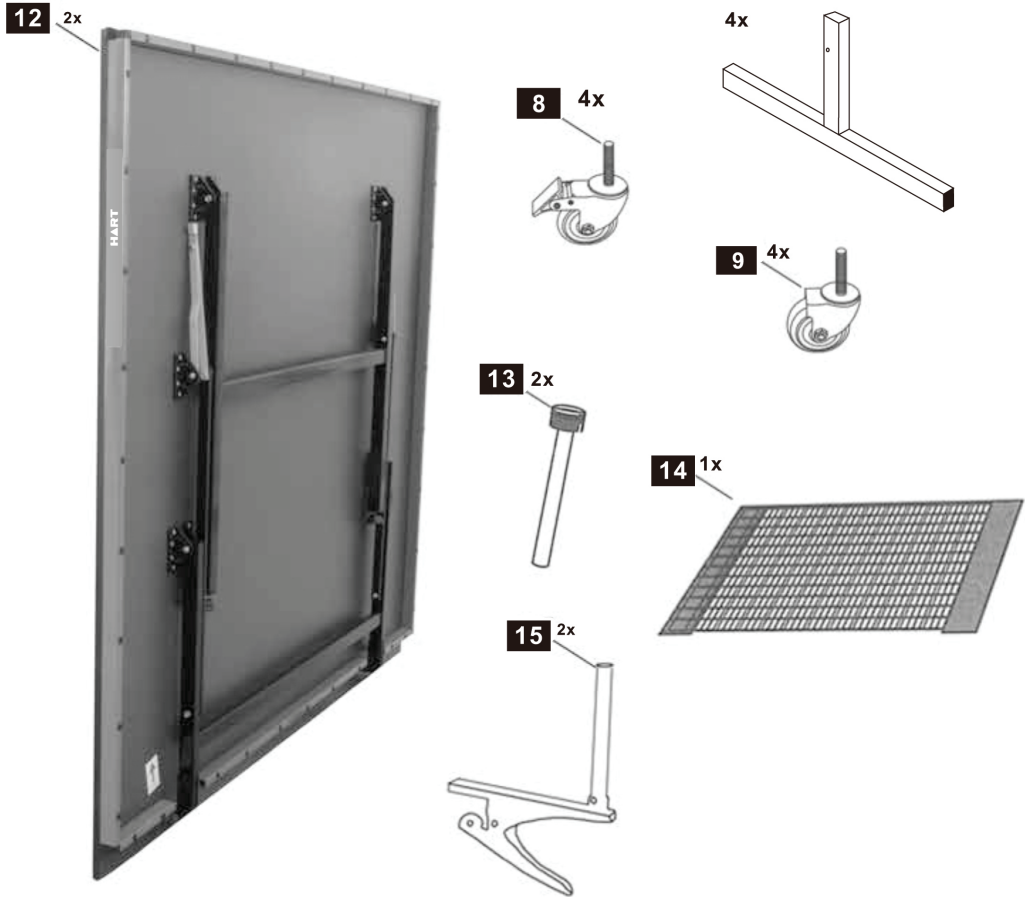












Player Tennis Table Instruction





Player Tennis Table Instruction



1 6x  M6X40	2 2x  M6X55	3 18x  ø6	4 2x 	5 2x  M6	6 6x  M6
7 2x 	8 4x 	9 4x 	10 2x 	11 8x 