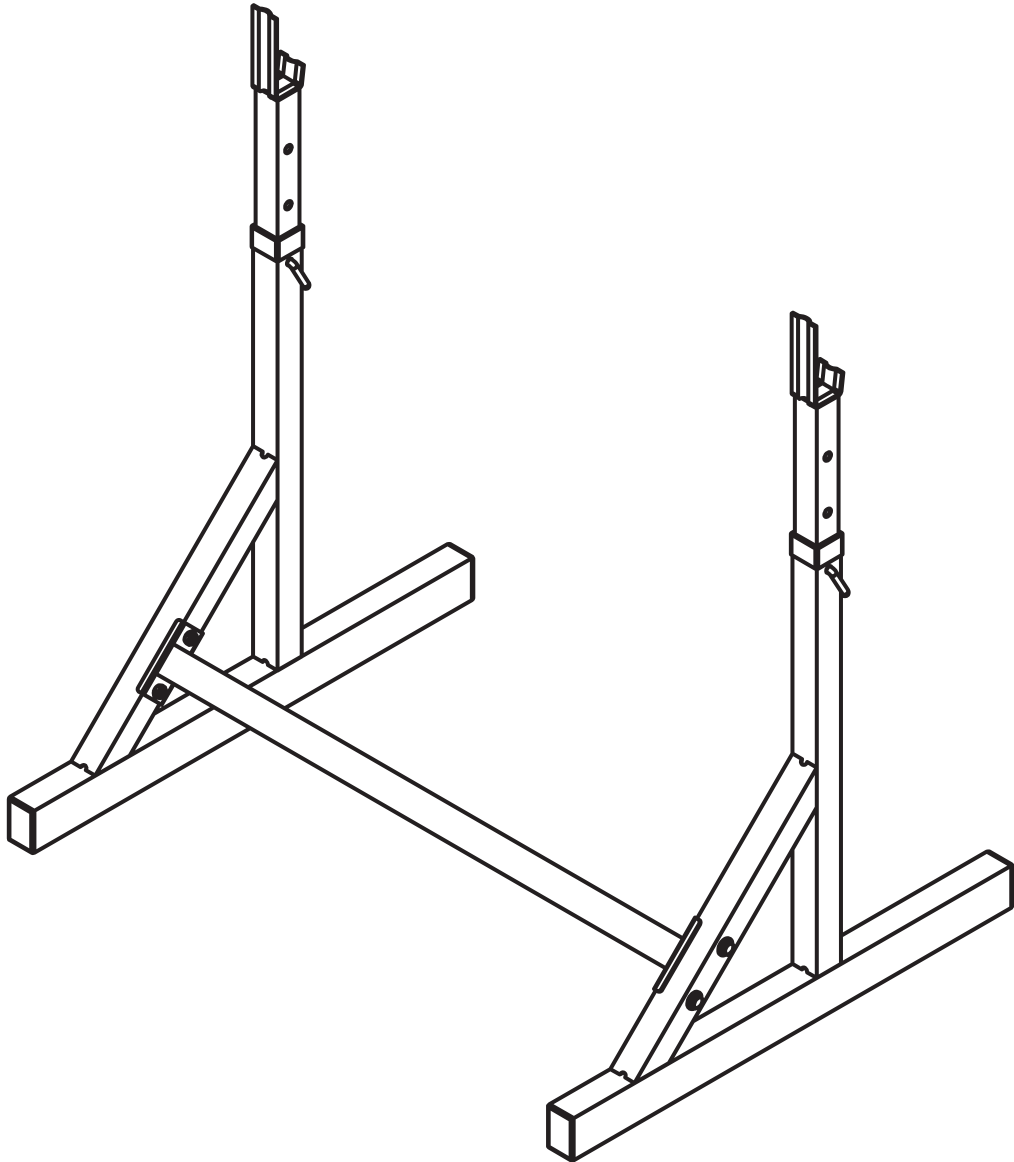




Squat Stand Assembly Manual





Squat Stand Assembly Manual

| | Qty. |
|--------------------------------|--------|
| A1. M10x70 HEX HEAD BOLT _____ | [4PCS] |
| B1. M10 NYLON LOCK NUT _____ | [4PCS] |
| C1. M10 (I.D) WASHER _____ | [4PCS] |
| D1. GRAVITY PIN _____ | [2PCS] |
| D2. 50x45 NYLON BUSHING _____ | [2PCS] |
| D3. END CAP _____ | [4PCS] |

A1



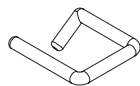
B1



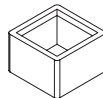
C1



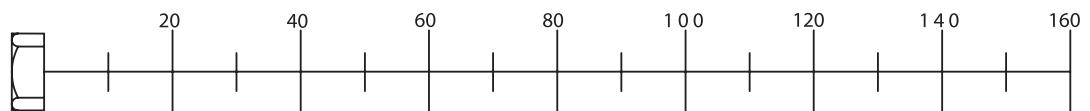
D1



D2



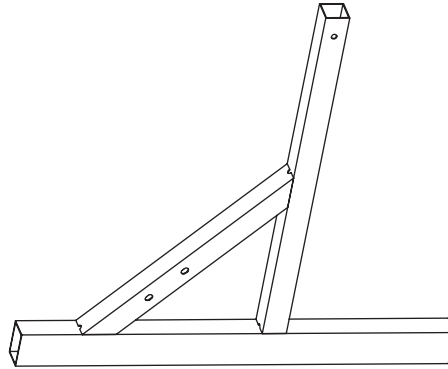
D3



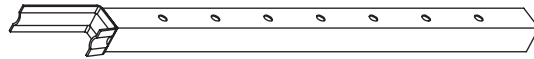


Squat Stand Assembly Manual

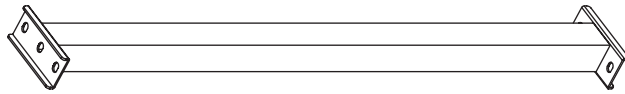
A[2PCS]



B[2PCS]



C[1PCS]





Squat Stand Assembly Manual

