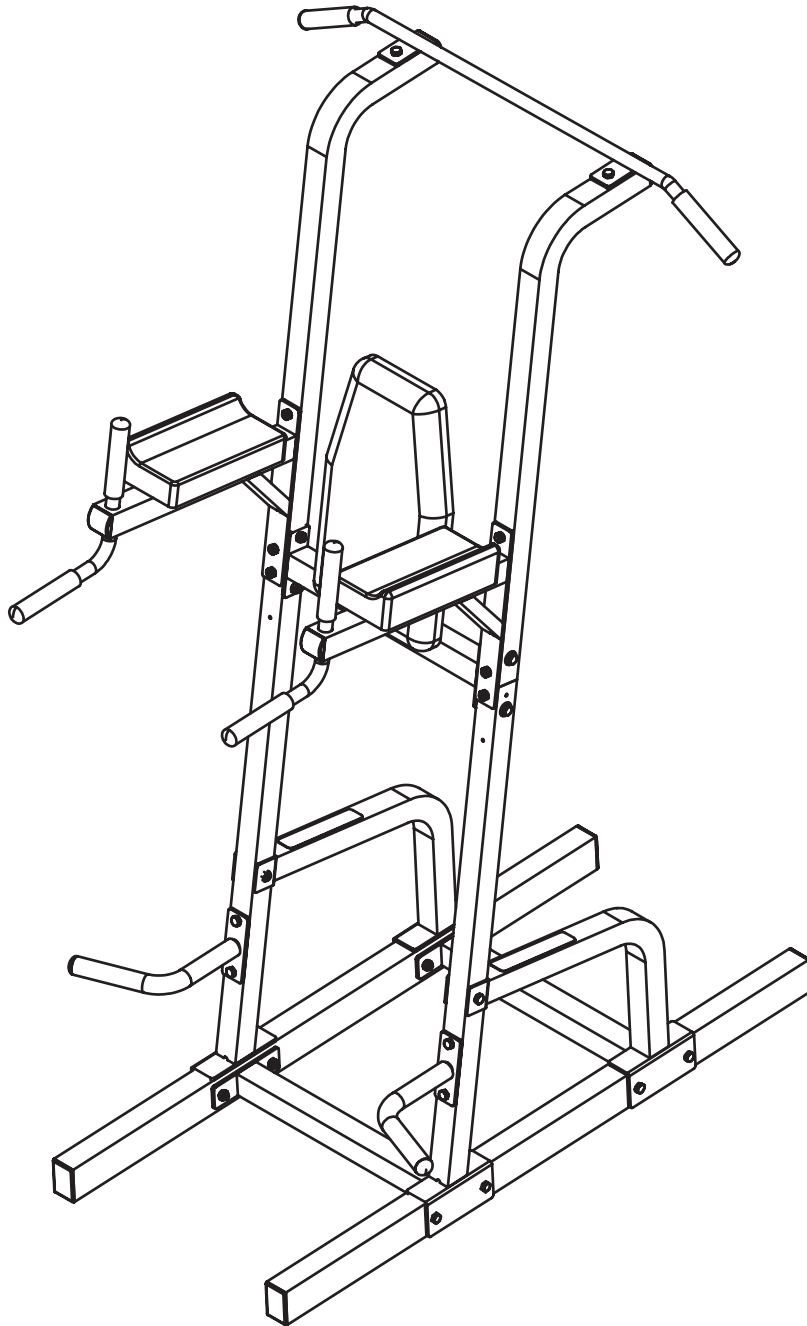




VKR, Dip, Chin, Push-up Station Assembly Manual





VKR, Dip, Chin, Push-up Station Assembly Manual

	QTY.
A1. M10X70L HEX HEAD BOLT _____	[18PCS]
A2. M10X75L HEX HEAD BOLT _____	[8PCS]
A3. M8X70L HEX HEAD BOLT _____	[6PCS]
B1. M10 NYLON LOCK NUT _____	[26PCS]
C1. M10 (I.D) WASHER _____	[16PCS]
C2. M8 (I.D) WASHER _____	[6PCS]
C3. M8 SPRING WASHER _____	[6PCS]
D1. 2"X2" FOOT CAP(9211-012) _____	[4PCS]
D2. 2"X2"X1.8T END CAP(9211-087) _____	[5PCS]
D6. 38X195 RUBBER PAD(9310-030) _____	[2PCS]
D7. Ø1" ROUND END CAP (9260-021) _____	[8PCS]

A1



A2



A3



B1



C1



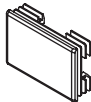
C2



C3



D1



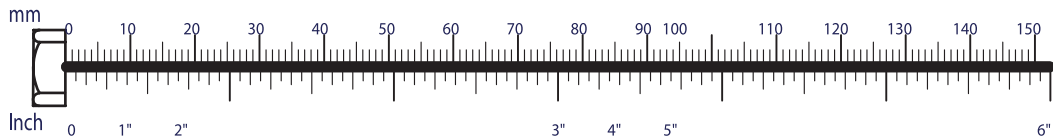
D2



D6

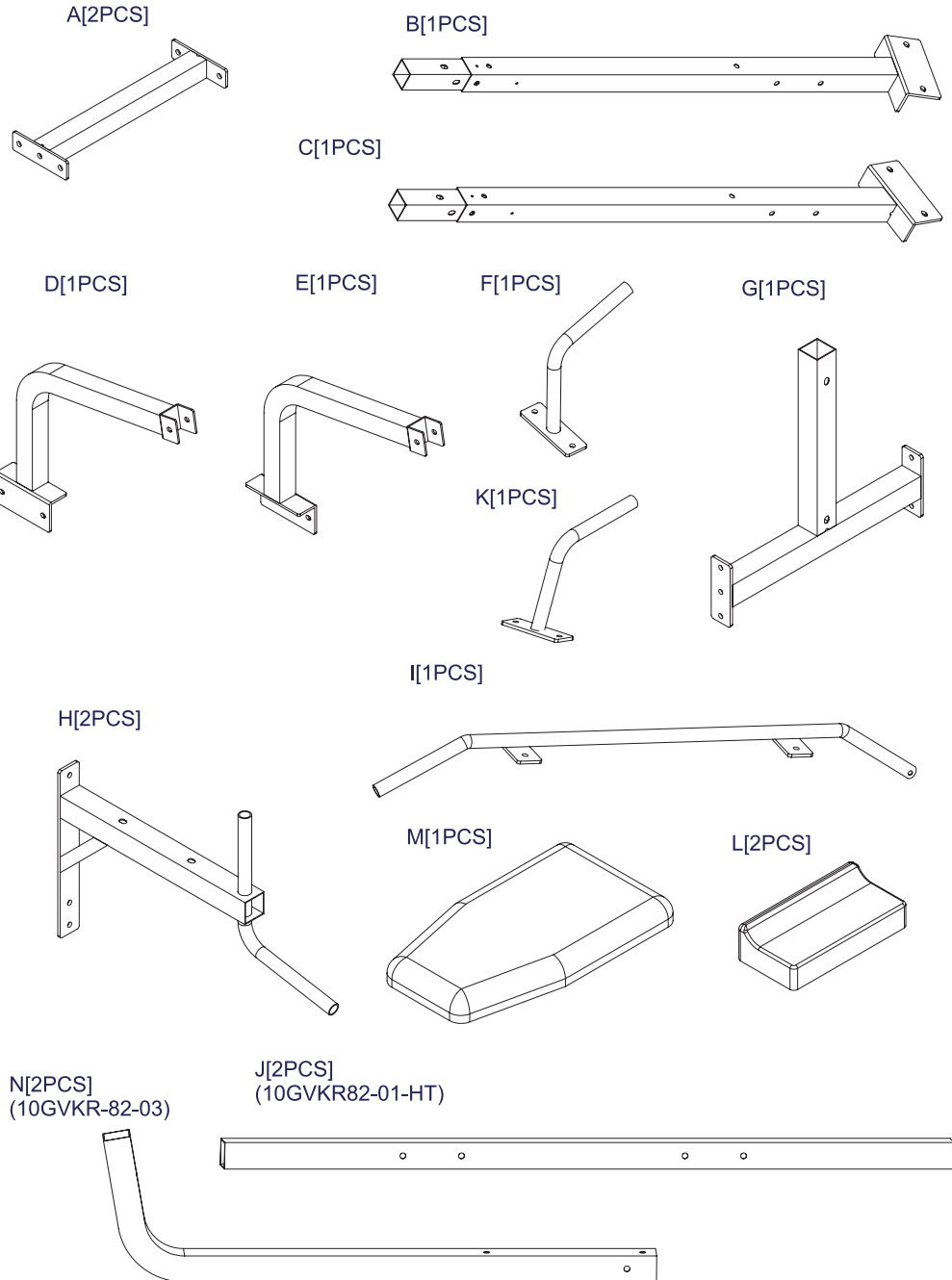


D7



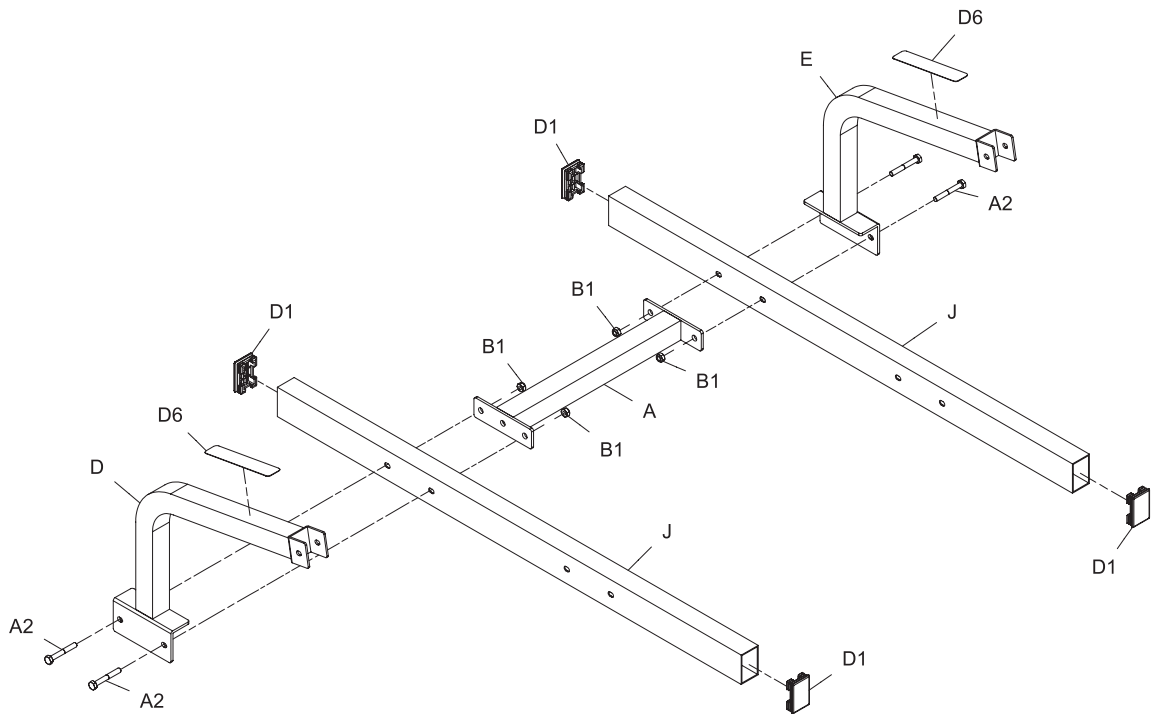


VKR, Dip, Chin, Push-up Station Assembly Manual



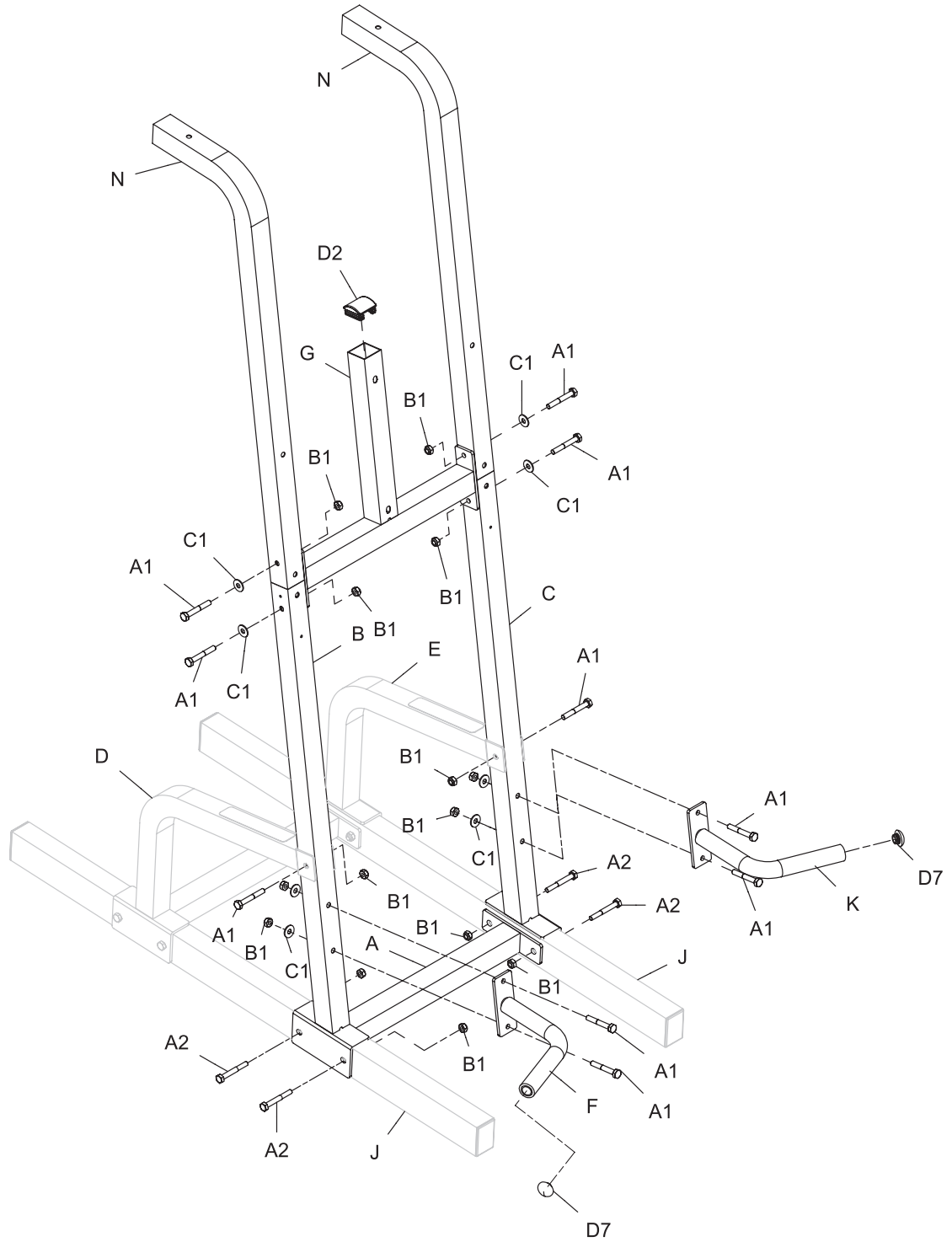


VKR, Dip, Chin, Push-up Station Assembly Manual





VKR, Dip, Chin, Push-up Station Assembly Manual





VKR, Dip, Chin, Push-up Station Assembly Manual

