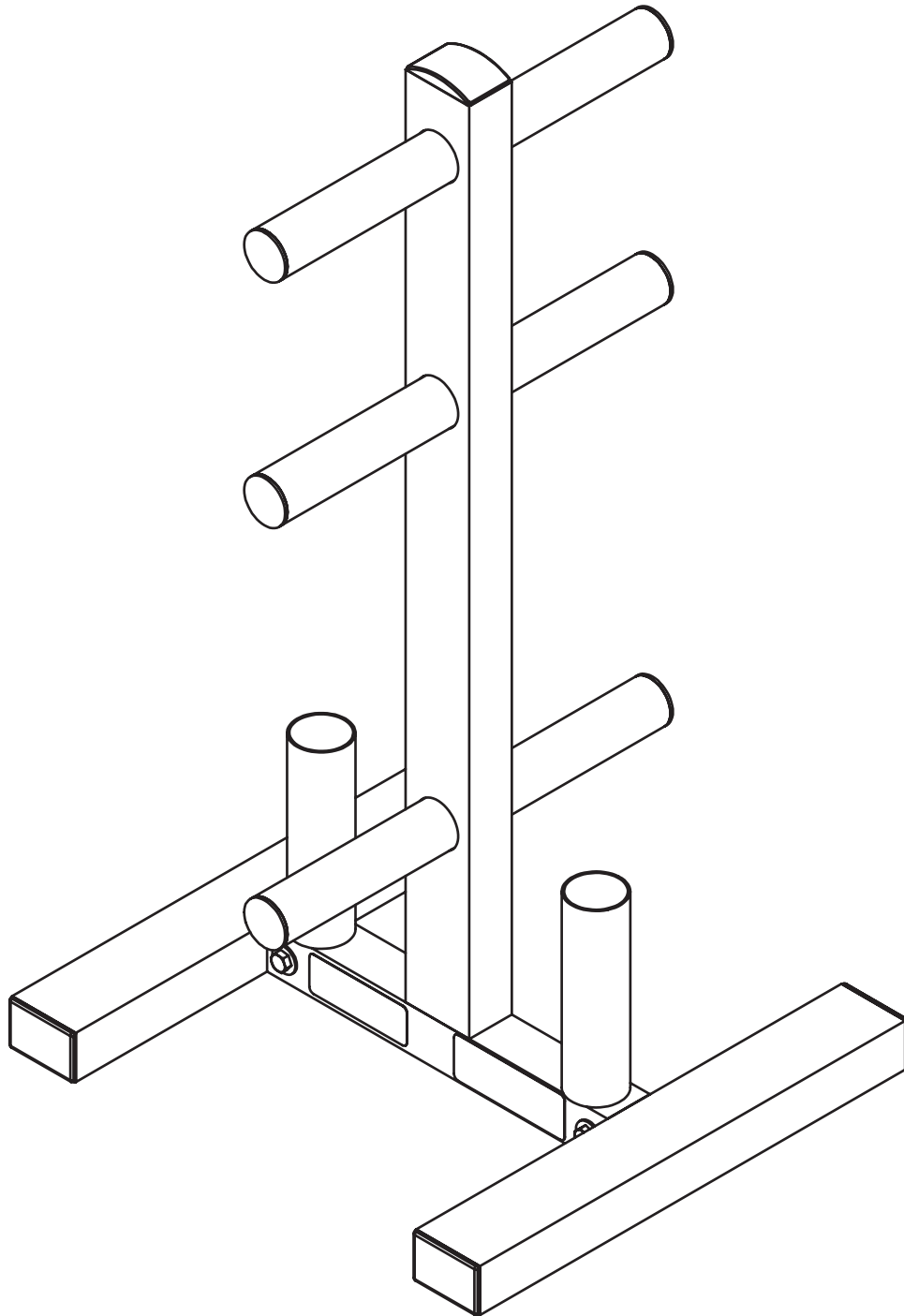




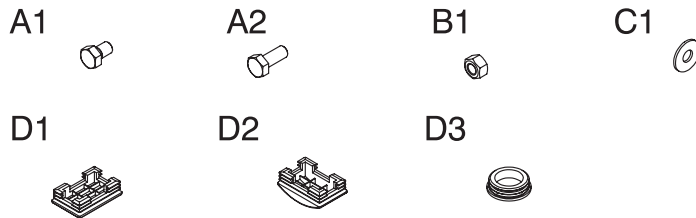
Olympic Weight Tree & Bar Rack





Olympic Weight Tree & Bar Rack

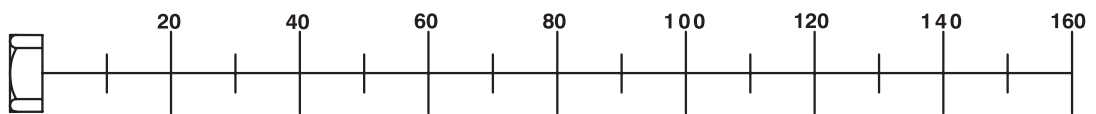
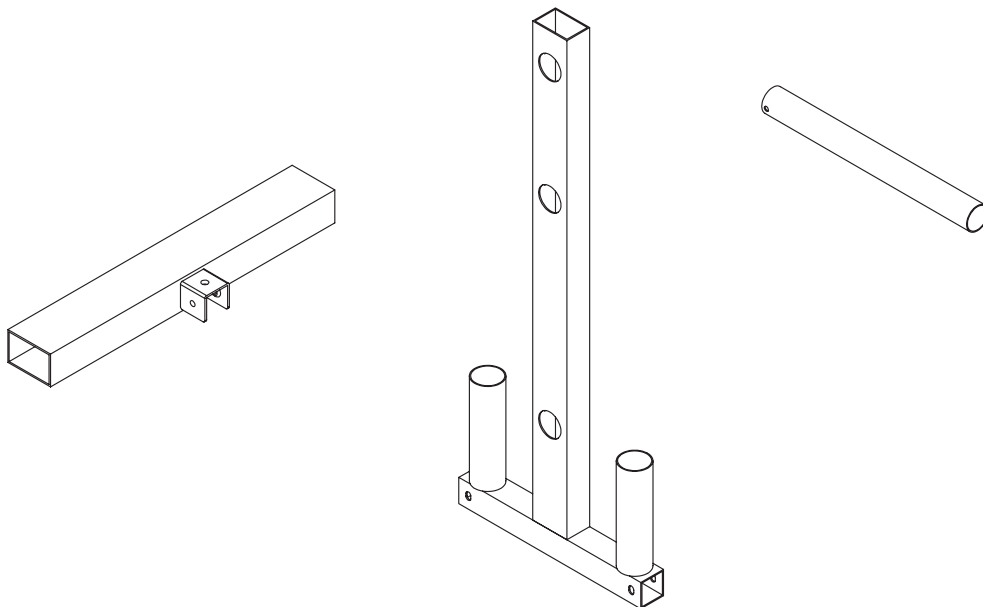
- A1. M10x16L HEX HEAD BOLT (pre-installed) _____ [4PCS]
- A2. M8x20L HEX HEAD BOLT (pre-installed) _____ [3PCS]
- B1. M8x4T LOCK NUT (pre-installed) _____ [3PCS]
- C1. M10 (I.D) WASHER (pre-installed) _____ [4PCS]
- D1. 50x75 FOOT CAP _____ [4PCS]
- D2. 50x75 END CAP _____ [1PCS]
- D3. Ø50 ROUND END _____ [6PCS]



A [2PCS]

B [1PCS]

C [3PCS]





Olympic Weight Tree & Bar Rack

